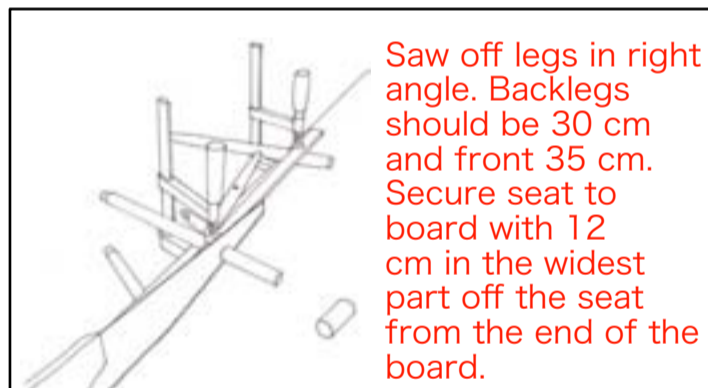
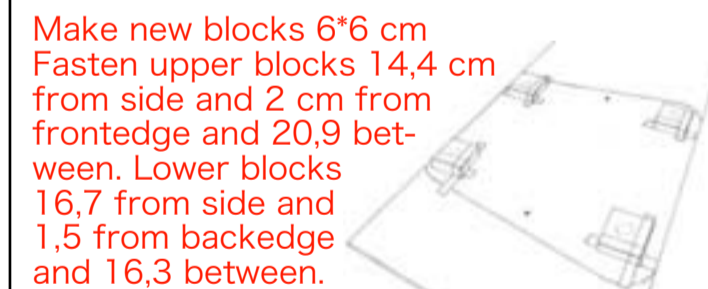


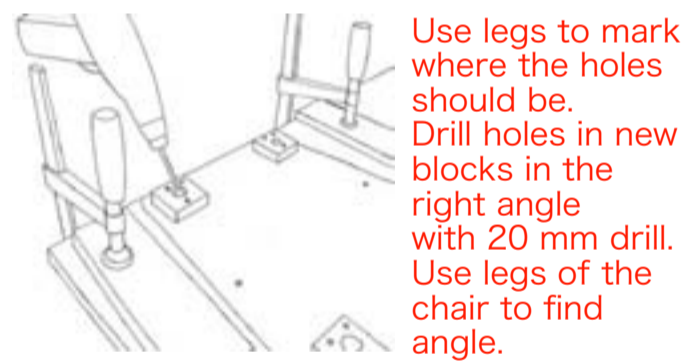
Saw off blocks underneath the seat.
Paint the back red.



Saw off legs in right angle. Backlegs should be 30 cm and front 35 cm. Secure seat to board with 12 cm in the widest part off the seat from the end of the board.

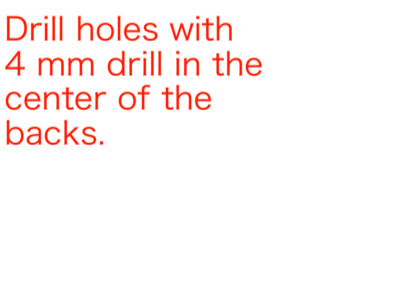
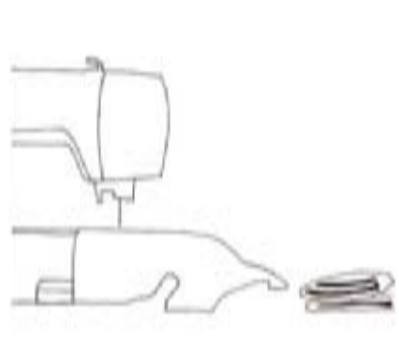


Make new blocks 6*6 cm. Fasten upper blocks 14,4 cm from side and 2 cm from frontedge and 20,9 between. Lower blocks 16,7 from side and 1,5 from backedge and 16,3 between.



Use legs to mark where the holes should be. Drill holes in new blocks in the right angle with 20 mm drill. Use legs of the chair to find angle.

Put in legs and secure with 35 mm screws and glue.



Make 3 quilts of Lillivi textile in double layer. The measurements should be 34 cm long and 25 cm wide. The string should be 37 cm long.

Drill holes with 4 mm drill in the center of the backs.



SeatBench

Hacking Ikea
By: Makoto Mito
Nicolas Møller

