

GULLIVÄRTE



IKEA - Hacking

Estimated time to assemble: 8 hours

Emil - Bastian

Things you need:

Products



IVAR



VÄTE

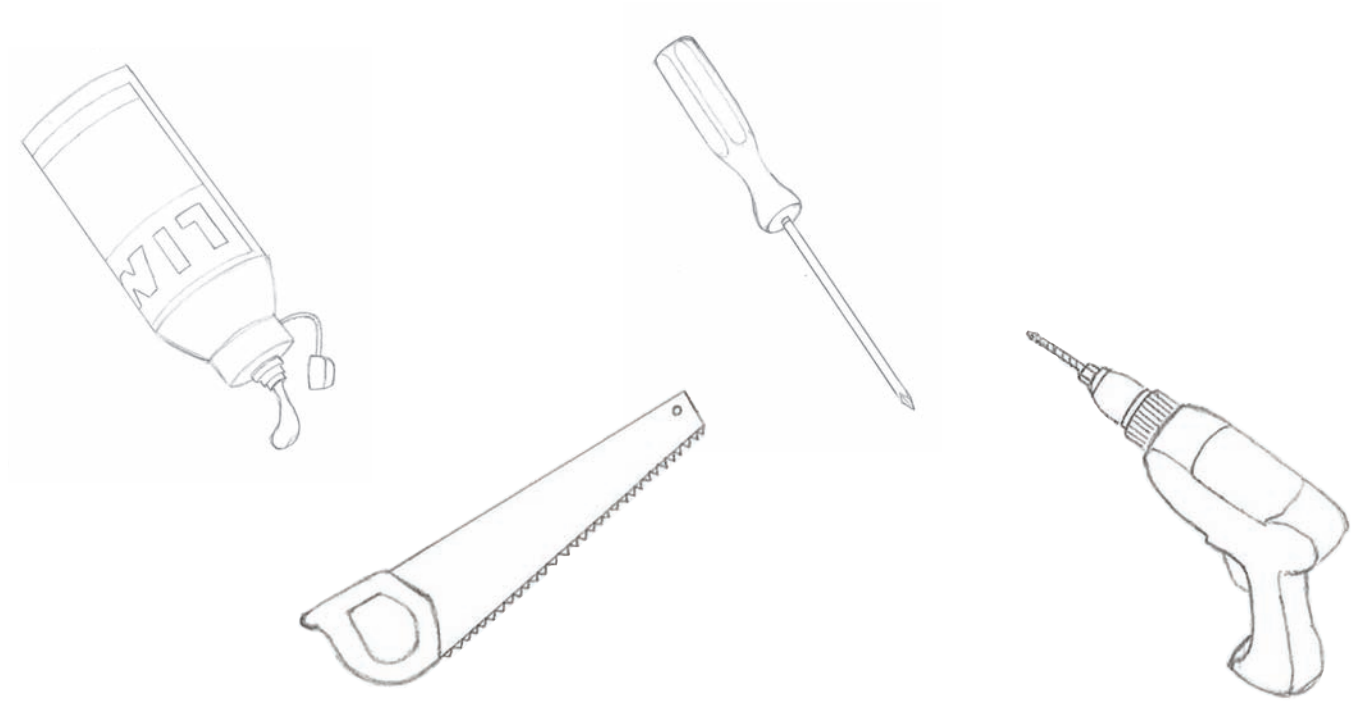


GULLIVER TRAMSE

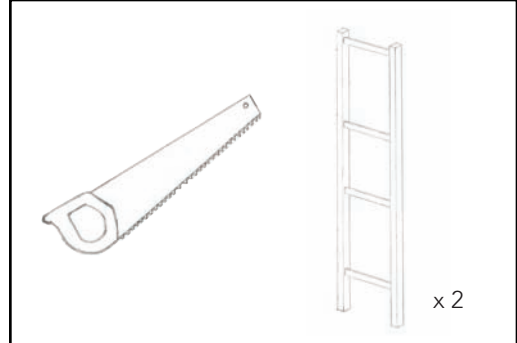
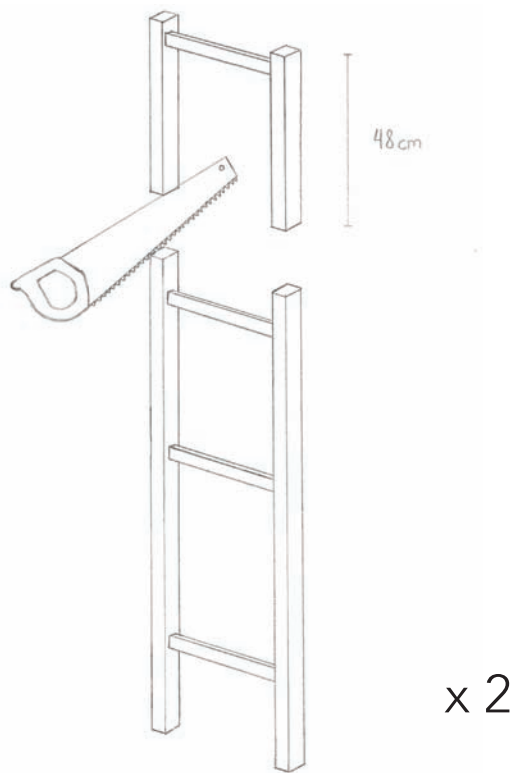


WIRE

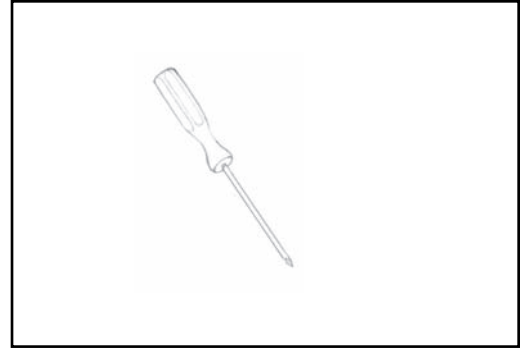
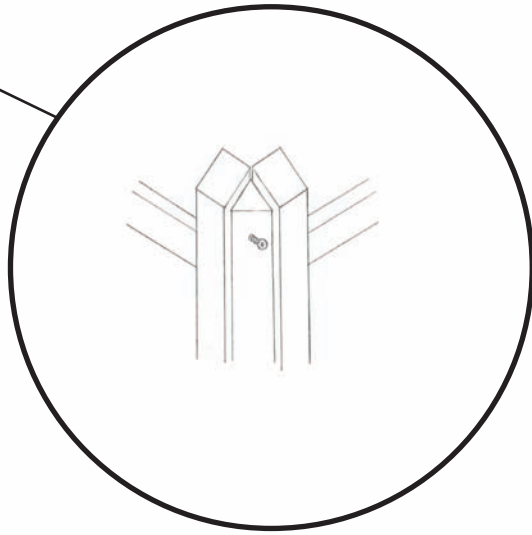
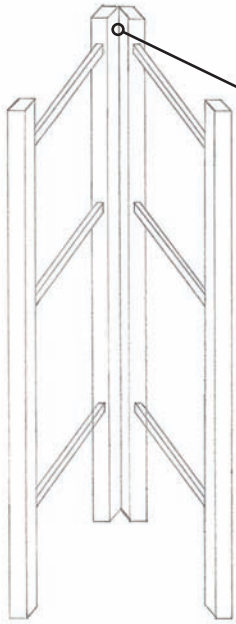
Tools you need:



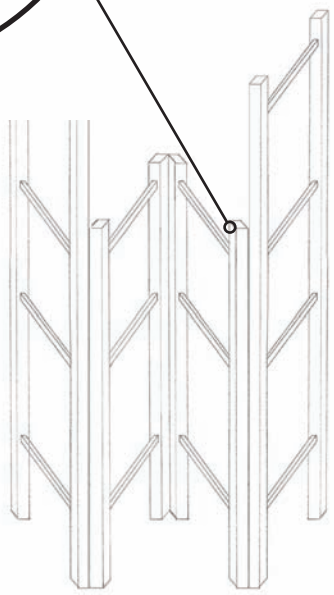
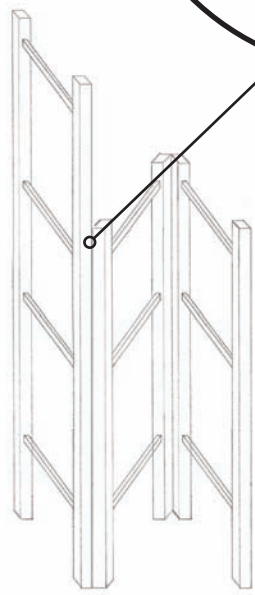
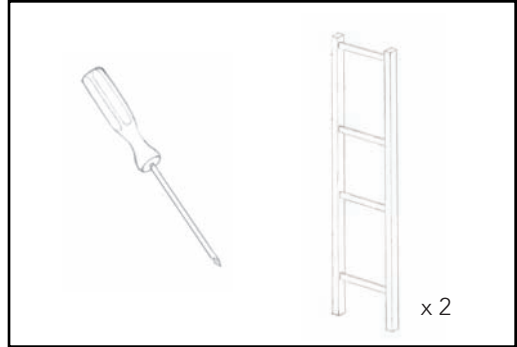
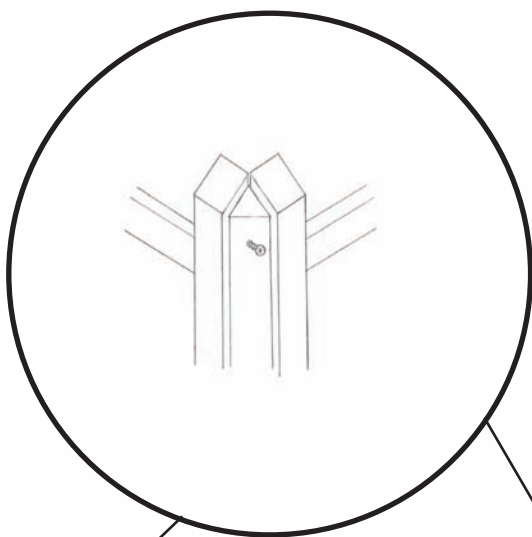
How to assemble



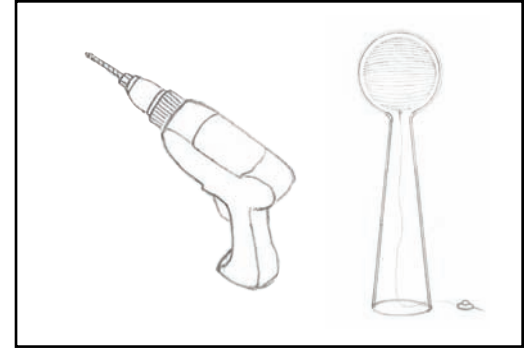
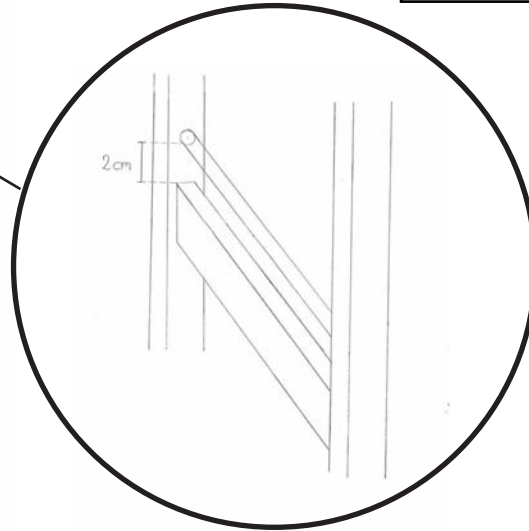
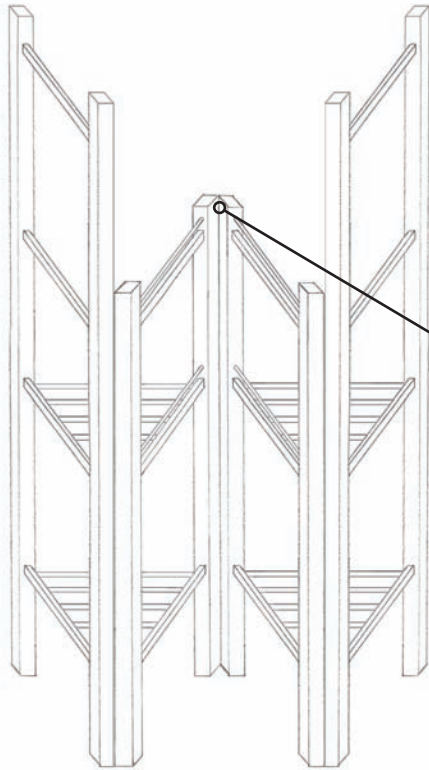
1



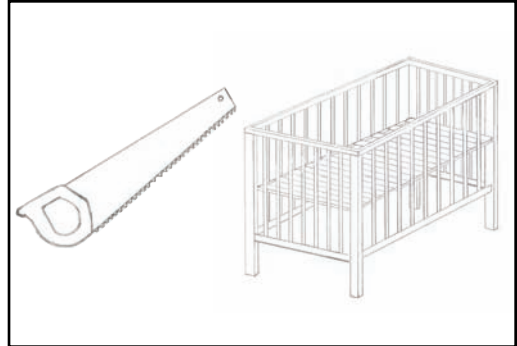
2.



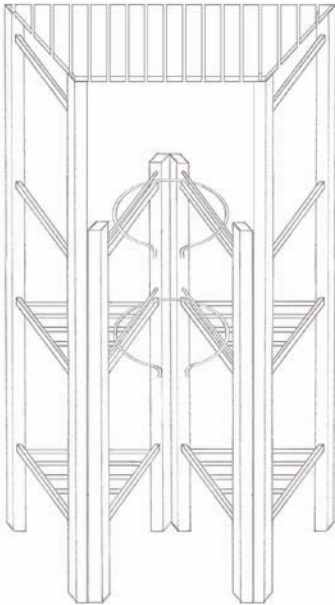
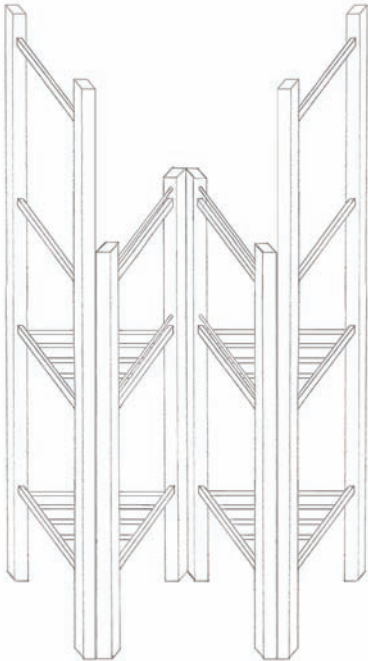
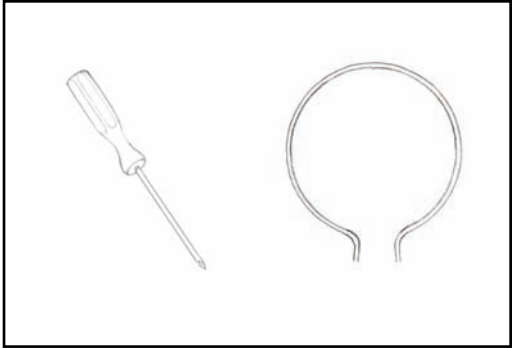
3.



4.

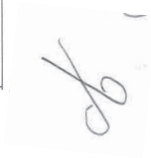
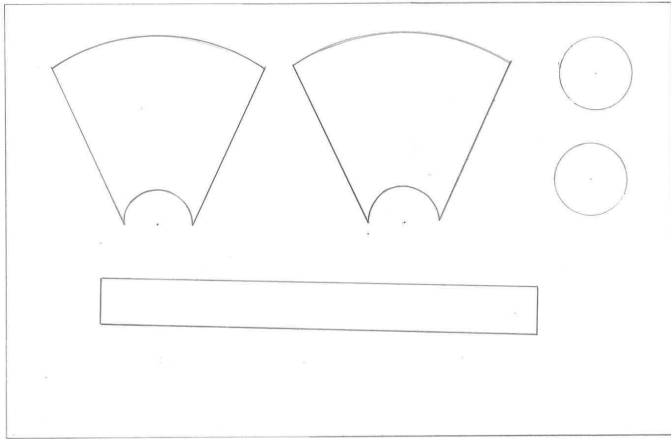


5.

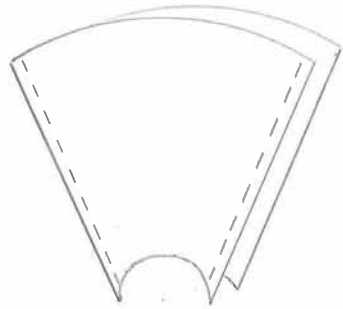


6.

1.



2.



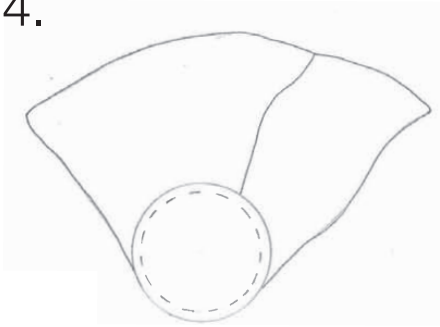
3.



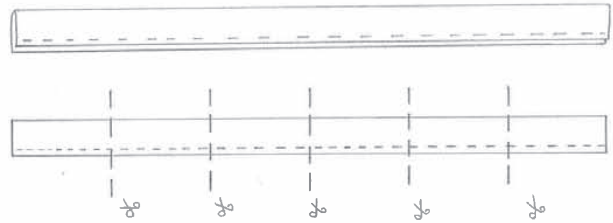
7



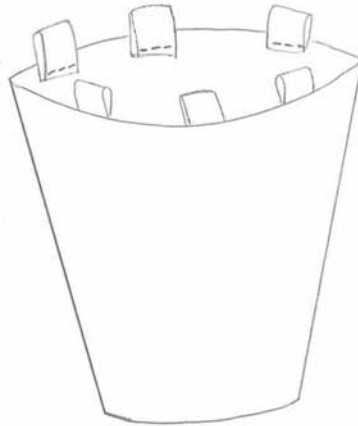
4.

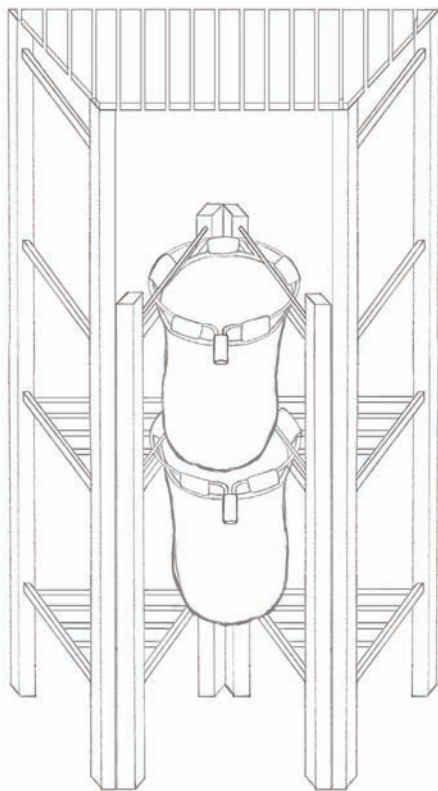


5.



6.





8.



GULLIVÄRTE