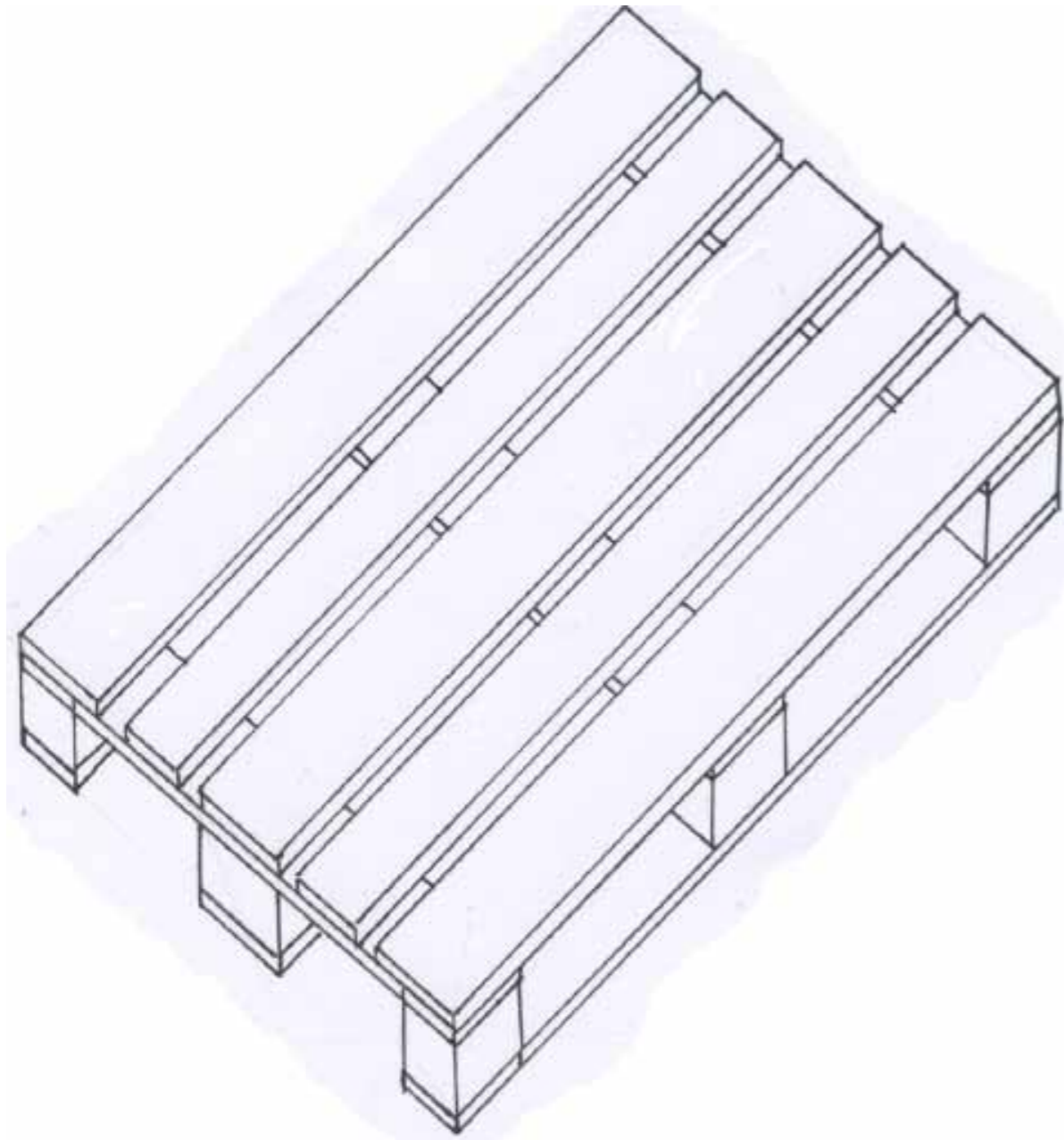
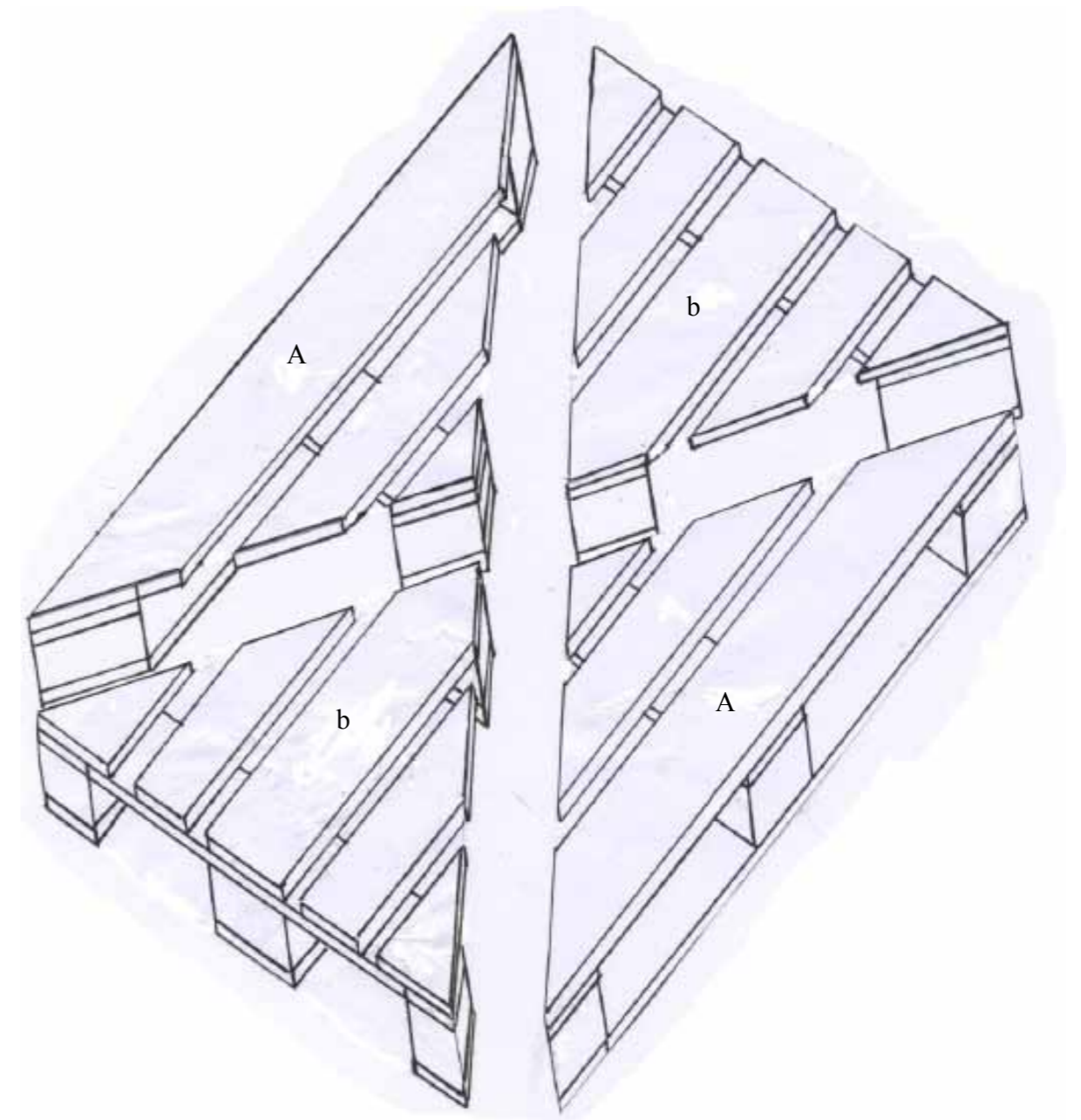


Step 1

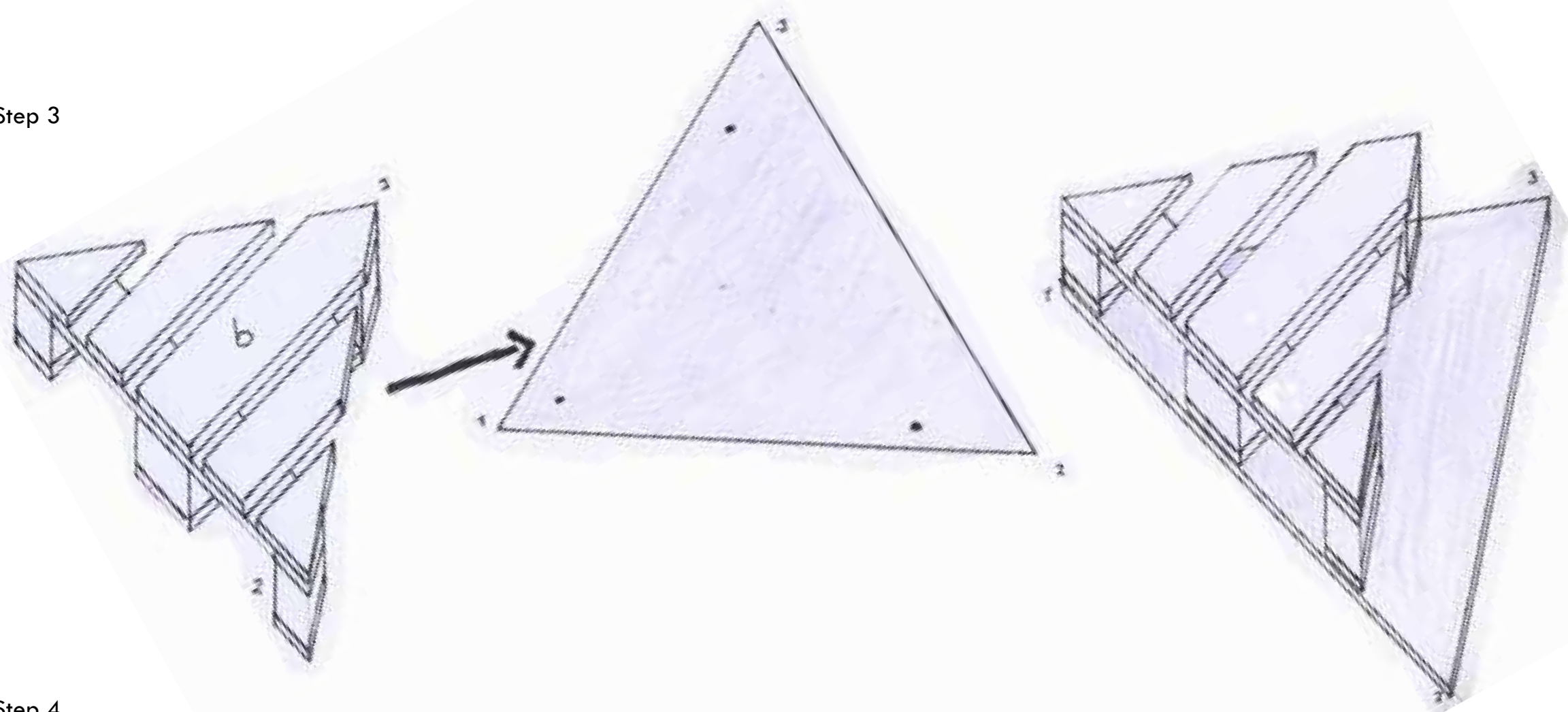


Step 2

obs: I recommend cutting the europallet by using a chain-saw



Step 3



You mount the Mdf-triangle on the back of the europallet as shown.

Step 4

You mount part b to part A by using two hinges on the backside of the europallet.

